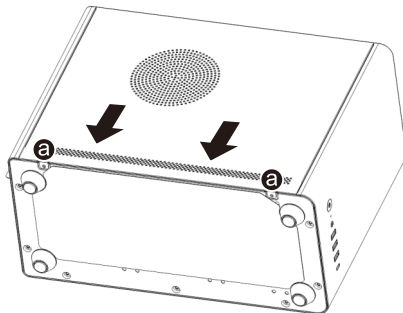




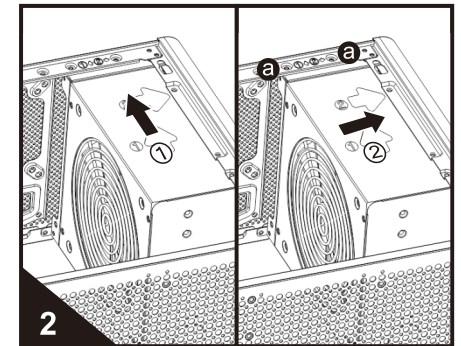
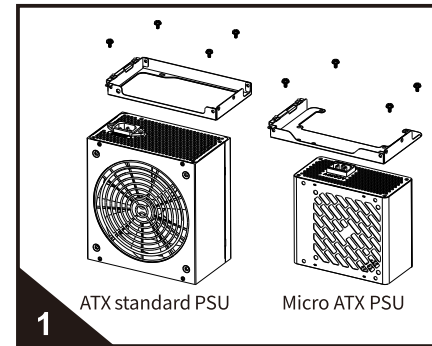
### 1 Disassemble Of Side Panels

- ① Unscrew the 2pcs screws of “a” positions at the bottom panel;
- ② Slide out side panel according to the arrow direction



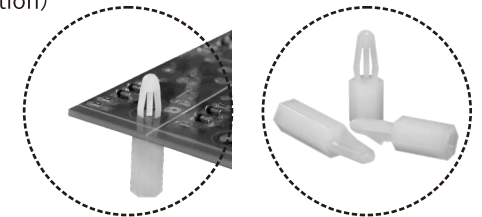
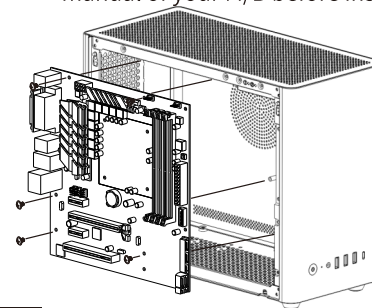
### 2 PSU installation

- ① Fix ATX PSU on the bracket of ATX PSU; or fix micro ATX PSU on the bracket of micro ATX PSU (bracket of micro ATX PSU is optional)
  - ② Then put the bracket with PSU flat on right side panel in the chassis (avoid M/B pillar), push it toward the top panel till the end according to arrow 1, then push it toward right a little to make the bracket slide in right position according to the direction of arrow 2. Finally fix the bracket by two screws at “a” positions
- ★ Caution: The case can only support micro ATX PSU if it's installed with water cooler



### 3 M/B installation (caution: please install PSU first before install M/B if the M/B is big size micro ATX)

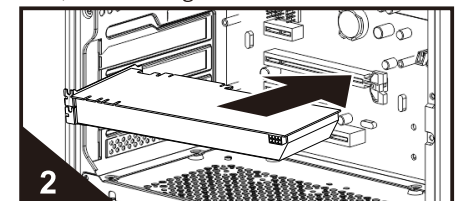
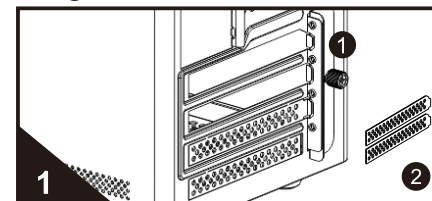
Put M/B in the case and align the screw holes, then fix M/B by screws as shown in the following illustration (this case support micro ATX M/B and ITX M/B) (different M/B has different installation characteristics, please refer to the user manual of your M/B before installation)



★ If there is no screw pillar under any hole of the motherboard, please take out the plastic fixing pillar from accessories bag and insert it into the hole of the motherboard to hold up the motherboard

### 4 VGA card installation

- ① Unscrew the screws of the fastening bar of the PCI slot covers, remove the fastening bar, then break off PCI slot covers;
- ② Insert VGA card into the VGA card slot of M/B according to the arrow direction

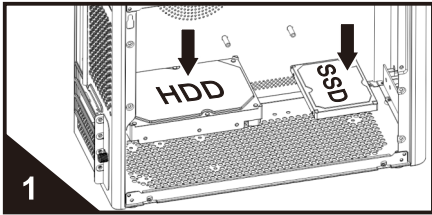


Unscrew the screws of the fastening bar of the PCI slot covers, remove the fastening bar, then break off PCI slot covers

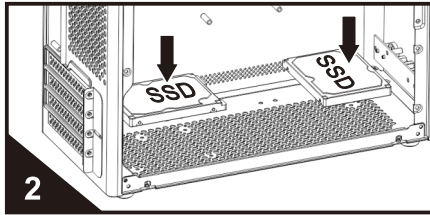
Insert VGA card into the slot of M/B according to the arrow direction

## 5 HDD / SSD installation (Support:HDD\*1+SSD\*2;or SSD\*3)

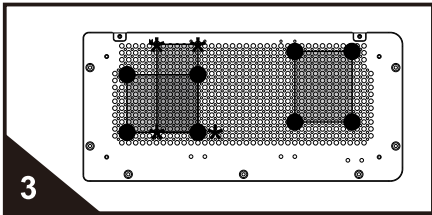
Install 3.5" HDD and 2.5" SSD on the positions as shown in the illustration, align screw holes then fix HDD/SSD by screws



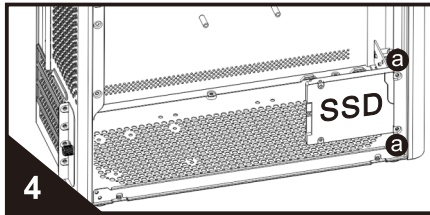
① Fix 3.5" HDD and 2.5" SSD on bottom panel by screws (need to connect SSD cables first before fix SSD on bottom panel)



② Or fix 2.5"SSD\*2 on the bottom panel by screws (need to connect SSD cables first before fix SSD on bottom panel)



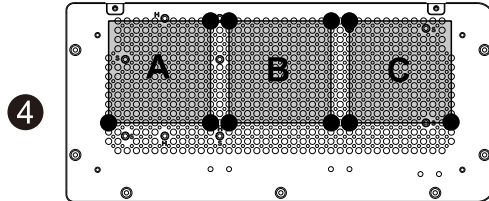
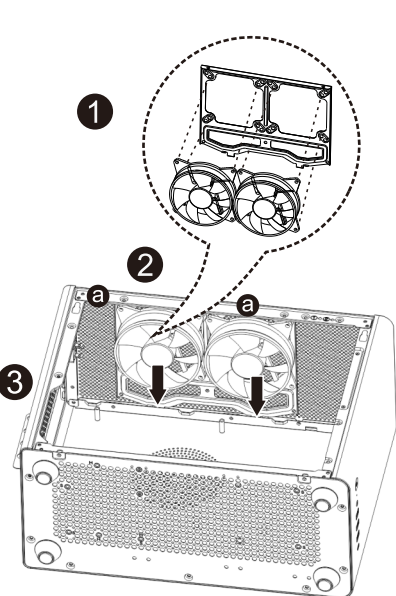
③ Note: "●" positions are for SSD  
"★" positions are for HDD



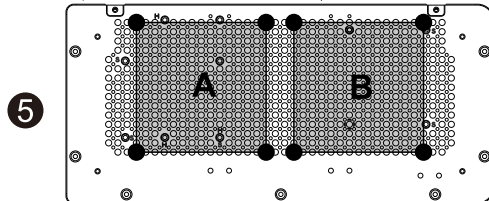
④ One 2.5" SSD can be fixed on front plate by 2 screws at "a" positions

## 6 Fan installation

- ① Fix 2pieces 8cm fan or 2 pieces 9cm fan on the fan bracket;
- ② Insert fan bracket into the slot beneath top panel according to the arrow direction as shown in the illustration, fix the fans by screws at "a" positions;
- ③ Rear panel can be installed with 1\*8cm fan;
- ④ ⑤ illustration of fan positions on bottom panel



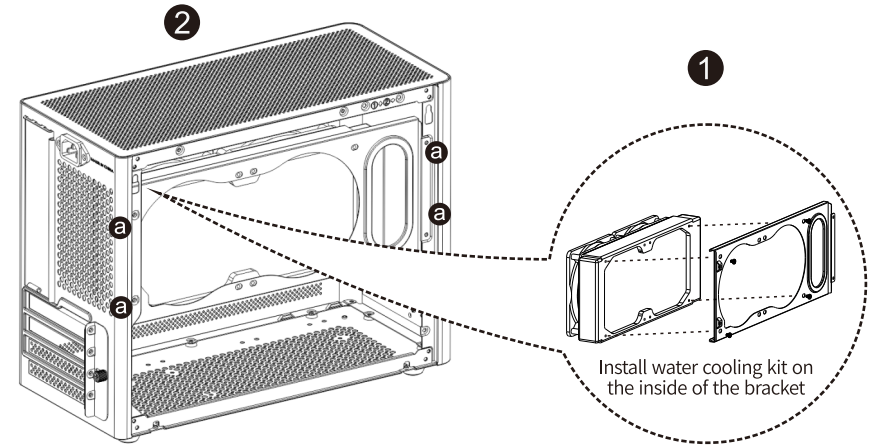
④ 3\*9cm fan installed on bottom panel  
3\*9CM fans can be installed at the positions of A, B, C on bottom panel as shown in the illustration. Fans installed at positions A, B can be fixed by 3 screws (position C can be installed with 1\*2.5" SSD if positions A, B installed with 2\*9cm fans)



⑤ 2\*12cm fan installed on bottom panel  
2\*12cm fan can be installed at positions A, B on bottom panel(position B can be installed with 1\*2.5" SSD if position A installed with 1\*12cm fan)

## 7 Water cooling kit installation (The case can only support micro ATX PSU if it's installed with water cooler)

- ① Fix 240mm water cooling kit on the water cooling kit bracket by screws;
  - ② Put the bracket with water cooling kit on the chassis as shown in the illustration, align screw holes then fix the bracket by screws at "a" positions
- ★ For the best thermal dissipation, please choose mesh side panel if install water cooler in the case



## ★ Cooling device compatibility

Top panel: 2\*8cm fan or 2\*9cm fan  
Rear panel: 1\*8cm fan or 1\*9cm fan  
Bottom panel: 3\*9cm fan or 2\*12cm fan  
Optional water cooling kit bracket: 1\*240 water cooling kit (The case can only support micro ATX PSU if it's installed with water cooler. Meanwhile, the rear panel can not be installed with cooling fan)

## 8 Additional information

If the case comes with DIY fun stickers, please choose your favorite one and stick it on the inside surface of the tempered glass side panel. Align the sticker with the front rim of the tempered glass and rims of top and bottom silkscreen printing. (the sticker can act as decoration, meanwhile it can cover the cables inside of the case)